

12V 100AH 10Hr GEL BATTERY

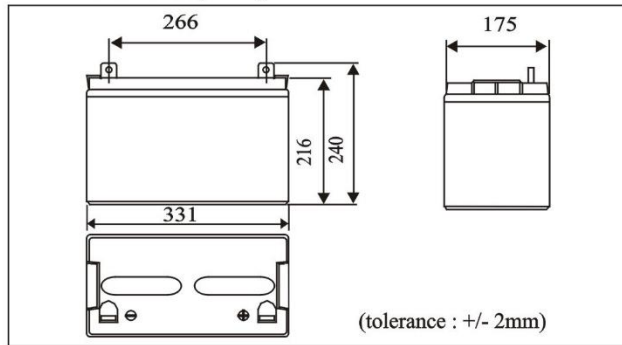
6GFMGEL100AH(12V100AH)

• Specification

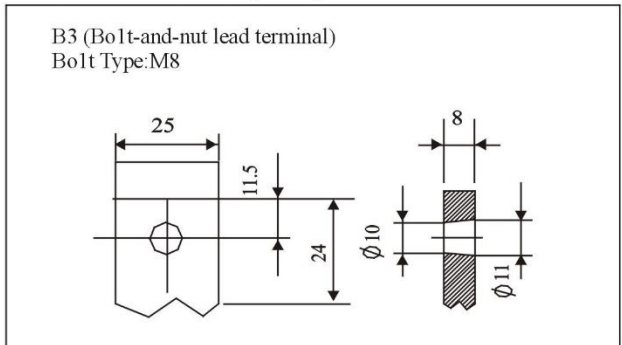
Nominal Voltage		12V
Nominal Capacity (10HR)		100AH
Dimensions	Length	331 ± 1mm
	Width	175 ± 1mm
	Container Height	216 ± 2mm
	Total Height	240 ± 2mm
Weight		29Kg
Standard Terminal		B3 (Bolt-and-nut lead terminal) Bolt Type:M8



• Dimensions (mm)



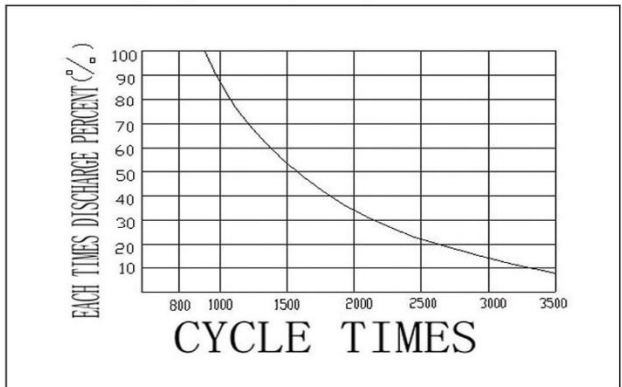
• Terminal Size (mm)



• Performance

Capacity(25°C)	20 hour rate (5.25A)	105.0Ah
	10 hour rate (10.0A)	100.0Ah
	5 hour rate (17.0A)	85.0Ah
	3hour rate (25.0A)	75.0Ah
	1hour rate (55.0A)	55.0Ah
Capacity affected by Temperature	40°C (104°F)	102%
	25°C (77°F)	100%
	0°C (32°F)	85%
Internal Resistance		Fully charged battery (25°C, 77°F) 5mΩ
Constant-Voltage Charge	Cycle	Constant Voltage 14.10~14.40V, The initial current is smaller than 40A
	Standby	Constant Voltage 13.50~13.80V, The initial current is smaller than 15A

• Discharging curve (25°C)



Constant Current (Amp) and Constant Power (Watt) Discharge Table at (25°C)

Time		5min	10min	15min	30min	1h	2h	3h	4h	5h	8h	10h	20h
9.60V	A	370	270	190	115	60	35	25.7	20.0	16.5	11.6	10.5	5.67
	W	3929	2867	2018	1221	695	405	298	232	191	135	122	65.7
10.20V	A	326	246	170	109.0	56.4	33.4	25.0	19.5	16.2	11.4	10.2	5.53
	W	3619	2731	1887	1210	653	387	290	226	1501	132	119	64.0
10.50V	A	314	234	160	106	55	32.6	24.4	19.2	16.0	11.3	10.0	5.46
	W	3561	2654	1814	1202	632	378	283	222	185	131	117	63.2
10.80V	A	302	222	150	103	53	31.8	23.8	18.9	15.6	11.0	10.0	5.40
	W	3515	2584	1746	1199	615	370	277	218	182	128	116	62.9
11.10V	A	290	210	140	100	51	31.0	18.4	18.3	15.2	10.7	9.50	5.13
	W	3451	2499	1666	1190	607	369	274	217	181	127	113	61.0